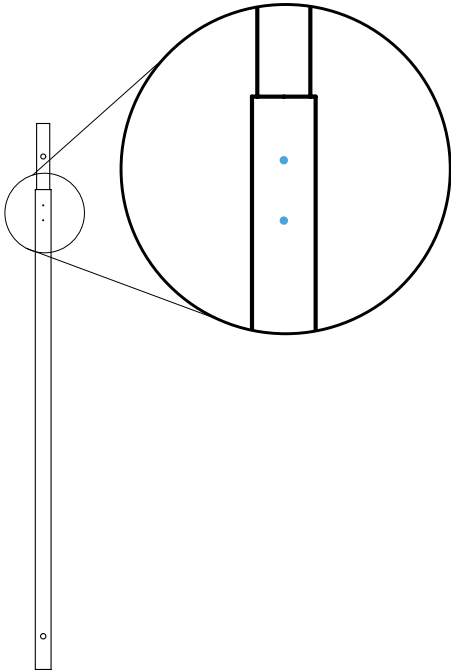
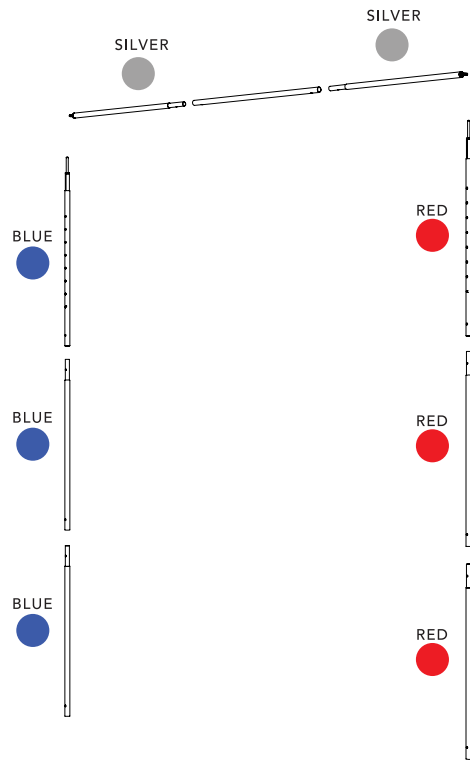


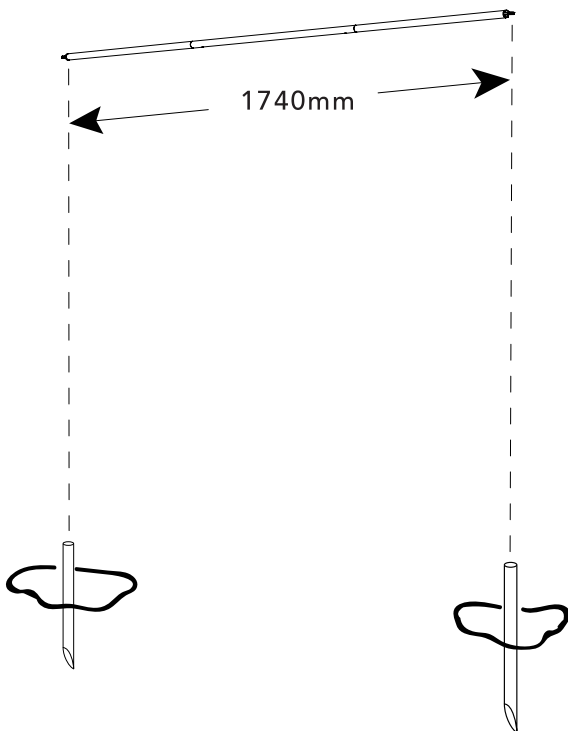
# Beach Tent. Instructions



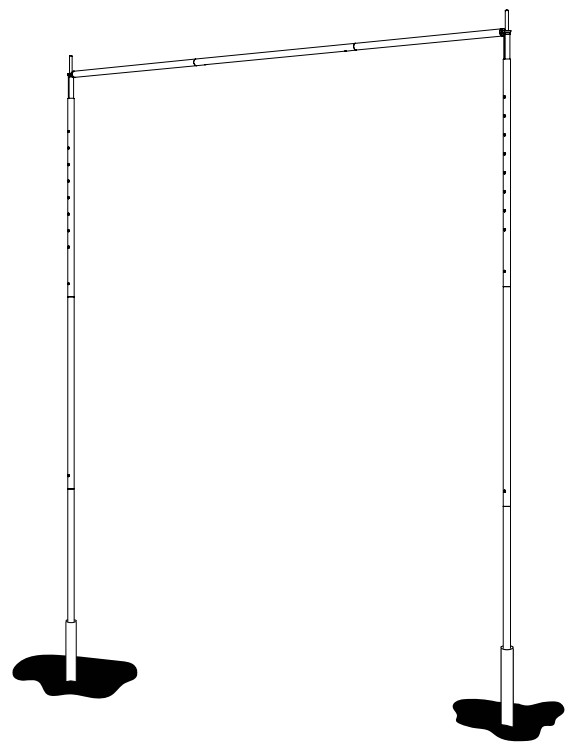
1. FIND THE DOTS



2. CONNECT THE DOTS

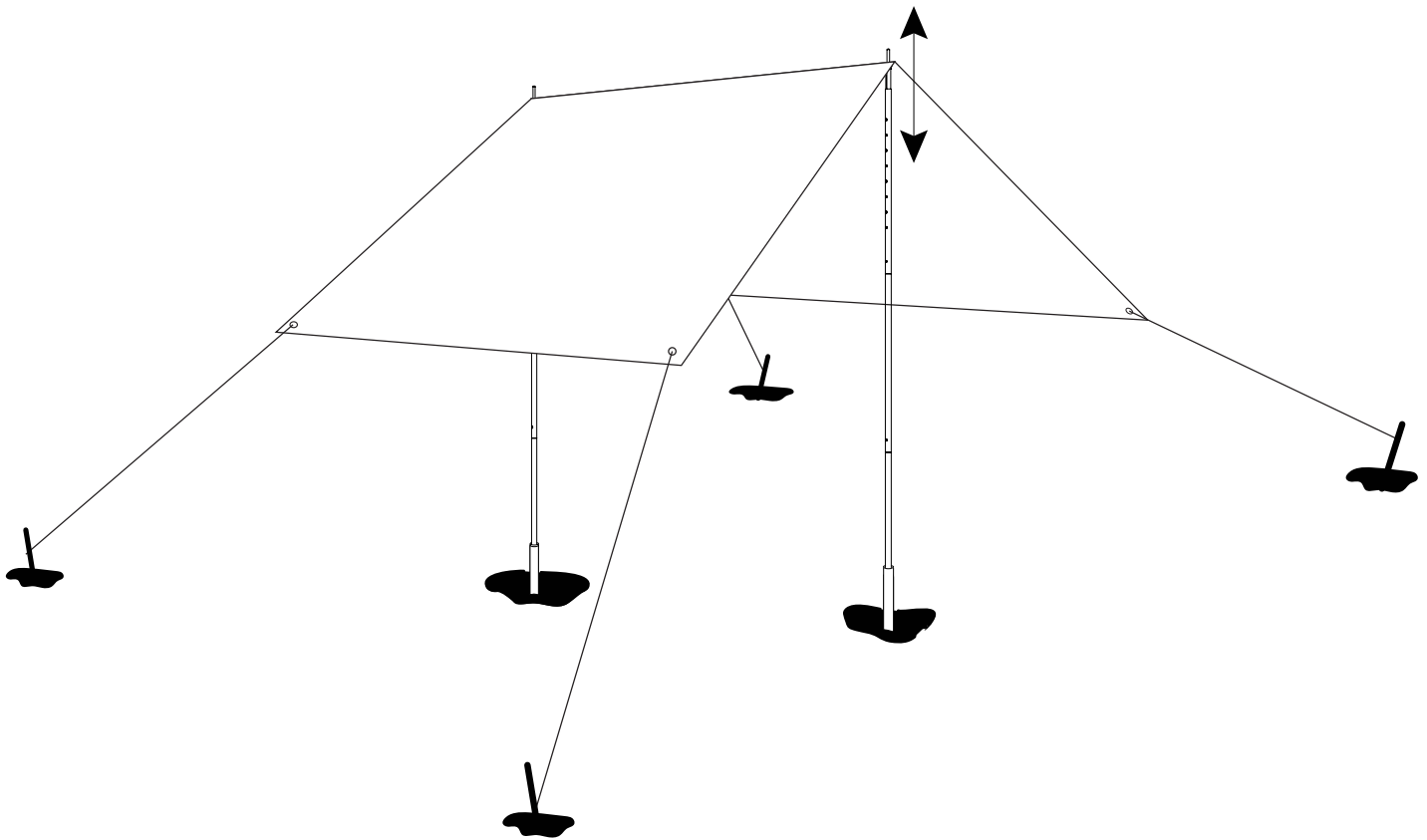


3. USE THE WIDTH OF THE CROSS-BAR & HAMMER THE WHITE POSTS INTO THE GROUND



4. BUILD THE FRAME: START WITH THE SIDES AND THEN ADD THE TOP CROSS-BAR

# Beach Tent. Instructions (continued)



5. ASSEMBLE THE ROOF TO THE FRAME & HAMMER IN PEGS.  
TETHER EACH ROPE TO A PEG IN THE GROUND.

6. ADJUST THE SIDE POLE HEIGHT TO SUITE

7. RELAX

## Some Fine Print

- Please be sensible: Don't use the tent for anything other than shade.
- Keep your fingers out of any moving parts.
- Storing your tent (dry) when not in use will keep it in good condition.
- Spot clean any dirt with warm soapy water. Dry thoroughly before storing.
- Avoid chlorine residue on the fabric.
- Basil Bangs is not responsible for the improper use or assembly of the tent, and any damage or injury that may occur.

For more installation instructions visit our website and check out our video.